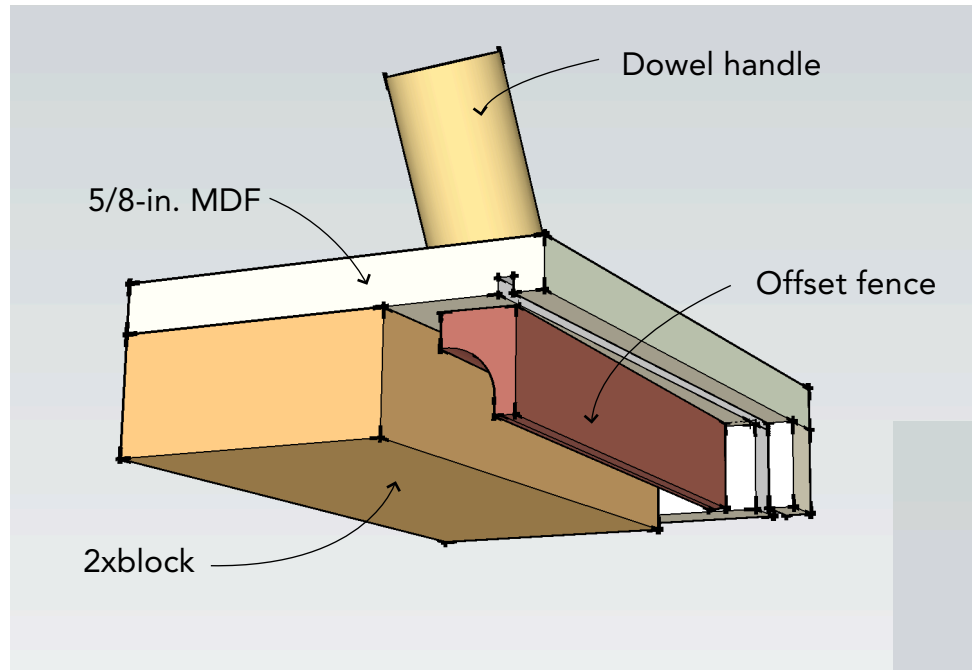


Shim Jig

Saving a trip to the store can be worth quite a bit. Here is a little jig that takes less than ten minutes to build and churns out shims from scrap 2x. You may never buy another shim.



Make it from scrap. The handle is left-over closet rod. The MDF is from a column wrap, and the fence is a bit of pre-finished scotia molding.

